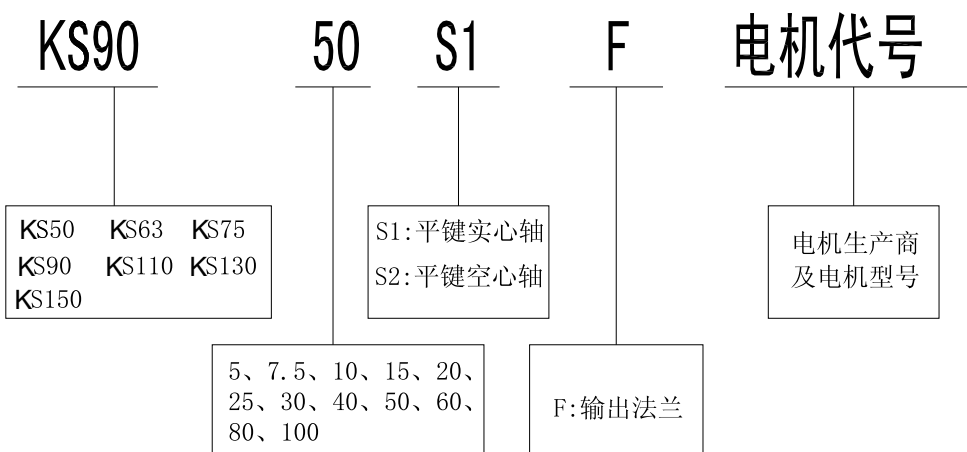




## KS精密伺服蜗轮减速机



例:KS90-50-S1-F/施耐德BCH1304N11A



减速机性能参数:

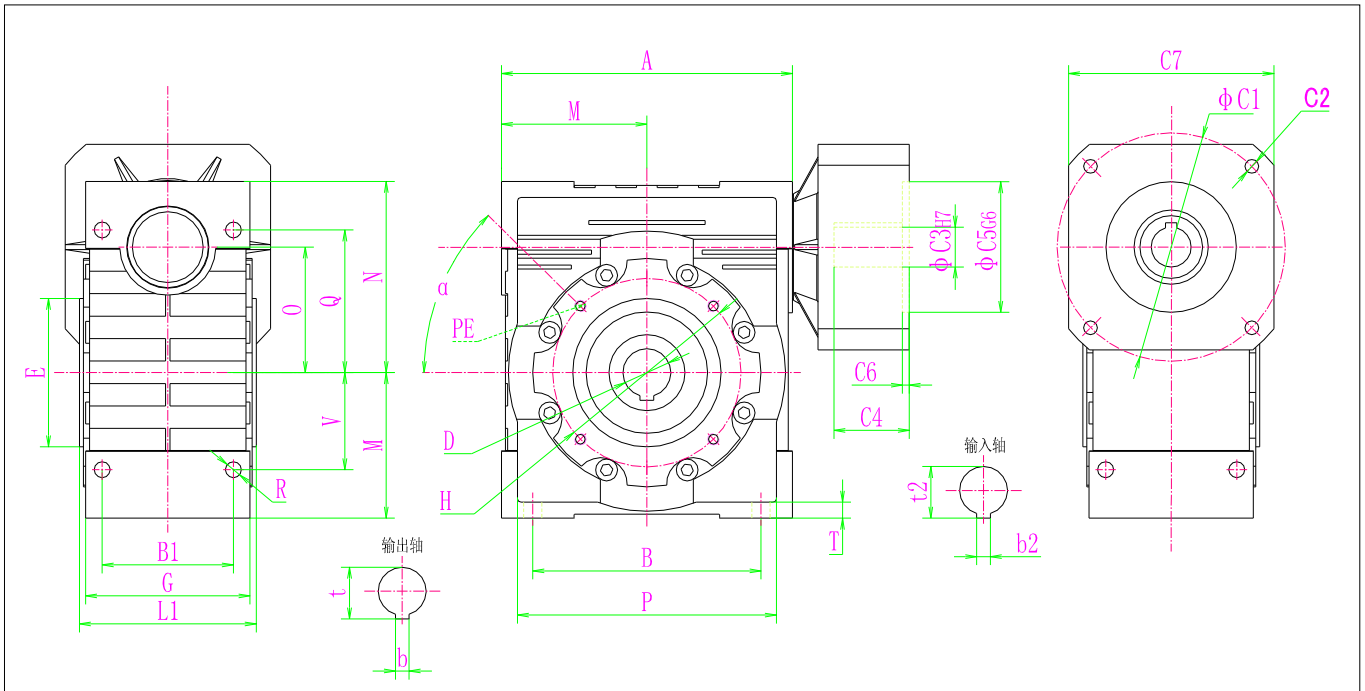
规格	单位	速比	KS50	KS63	KS75	KS90	KS110	KS130	KS150
额定输出扭矩 T <sub>2N</sub>	Nm	5	65						
		7.5	65	135	310	480	610	950	1660
		10	65	135	310	480	610	950	1660
		15	65	135	310	480	610	950	1660
		20	65	135	310	480	610	950	1660
		25	65	135	310	480	610	950	1660
		30	65	135	310	480	610	950	1660
		40	50	115	280	450	550	880	1420
		50	50	115	280	450	550	880	1420
		60	50	100	260	420	530	840	1360
		80	40	85	220	410	480	750	1250
100	35	65	170	320	410	650	1100		
最大输出扭矩T <sub>2B</sub>	Nm	5-100	2倍额定输出扭矩						
额定输出转速n <sub>1N</sub>	rpm	5-100	3000	3000	2500	2500	2000	2000	2000
最大输出转速n <sub>1B</sub>	rpm	5-100	5000	5000	4000	4000	3000	3000	3000
回程背隙	arcmin	5	≤8	≤8	≤8	≤8	≤8	≤8	≤8
		7.5	≤8	≤8	≤8	≤8	≤8	≤8	≤8
		10	≤8	≤8	≤8	≤8	≤8	≤8	≤8
		15	≤8	≤8	≤8	≤8	≤8	≤8	≤8
		20	≤8	≤8	≤8	≤8	≤8	≤8	≤8
		25	≤10	≤10	≤10	≤10	≤10	≤10	≤10
		30	≤10	≤10	≤10	≤10	≤10	≤10	≤10
		40	≤10	≤10	≤10	≤10	≤10	≤10	≤10
		50	≤12	≤12	≤12	≤12	≤12	≤12	≤12
		60	≤12	≤12	≤12	≤12	≤12	≤12	≤12
		80	≤15	≤15	≤15	≤15	≤15	≤15	≤15
100	≤15	≤15	≤15	≤15	≤15	≤15	≤15		
容许径向力F <sub>1</sub>	N	3-1000	1850	2800	3200	3800	4500	7200	9500
使用寿命	h	3-1000	10000						
动态效率 η <sub>d</sub>	%	5	88%						
		7.5	86%	88%	90%	90%	90%	91%	91%
		10	85%	87%	89%	89%	89%	89%	90%
		15	80%	83%	87%	87%	86%	87%	88%
		20	80%	82%	85%	85%	84%	86%	85%
		25	76%	78%	84%	82%	85%	84%	85%
		30	71%	74%	81%	80%	79%	80%	83%
		40	69%	71%	77%	76%	77%	77%	77%
		50	64%	66%	76%	72%	76%	76%	77%
		60	53%	57%	69%	69%	72%	74%	73%
		80	53%	56%	63%	63%	69%	67%	70%
100	48%	48%	61%	57%	62%	65%	63%		
重量	kg	5-100	4.5	7.2	9.8	14.0	44.0	62.0	95
噪音	dB	5-100	≤58	≤58	≤60	≤62	≤65	≤65	≤68
使用温度	℃	5-100	+10℃~+60℃						
润滑油量(WA320)	L	5-100	0.153	0.3	0.58	1.05	2.85	4.55	6.85



## KS功率配置 (n1=1400r/min)

NMRW		5	7.5	10	15	20	25	30	40	50	60	80	100
050	100W	●	●	●	●	●	●	●	○	○	○	○	○
	200W	●	●	●	●	●	●	●	○	○	○	○	○
	400W	○	○	○	○	○	○	○	○	○			
	500W	○	○	○	○	○	○	○	○				
	750W	○	○	○	○	○	○						
063	200W	×	●	●	●	●	●	●	●	●	●	○	○
	400W	×	●	●	●	●	●	●	○	○	○	○	○
	500W	×	●	●	○	○	○	○	○	○	○		
	750W	×	○	○	○	○	○	○	○				
	1000W	×	○	○	○	○	○	○					
	1500W	×	○	○	○	○							
075	500W	×	●	●	●	●	●	●	○	○	○	○	○
	750W	×	●	●	●	●	●	○	○	○	○		
	1000W	×	○	○	○	○	○	○					
	1500W	×	○	○	○	○	○	○					
	2000W	×	○	○	○								
	3000W	×	○	○	○								
	4000W	×	○										
090	750W	×	●	●	●	●	●	●	●	○	○	○	○
	1000W	×	●	●	●	●	●	●	○	○	○		
	1500W	×	●	●	●	●	○	○	○	○	○		
	2000W	×	○	○	○	○	○	○					
	3000W	×	○	○	○	○	○	○					
	4000W	×	○	○	○	○							
110	1000W	×	●	●	●	●	●	●	●	●	○	○	○
	1500W	×	●	●	●	●	●	●	●	○	○	○	
	2000W	×	○	○	○	○	○	○	○	○	○		
	3000W	×	○	○	○	○	○	○	○	○			
	4000W	×	○	○	○	○	○	○					
	5000W	×	○	○	○	○							
	7500W	×	○	○									
130	1500W	×	●	●	●	●	●	●	●	●	●	○	○
	2000W	×	●	●	●	●	●	●	●	○	○	○	○
	3000W	×	●	●	●	●	●	●	○	○	○		
	4000W	×	○	○	○	○	○	○	○	○			
	5000W	×	○	○	○	○	○	○					
	7500W	×	○	○	○	○	○						
150	2000W	×	●	●	●	●	●	●	●	○	○	○	○
	3000W	×	●	●	●	●	●	●	○	○	○	○	○
	4000W	×	●	●	●	●	○	○	○	○	○		
	5000W	×	●	●	●	○	○	○	○	○			
	7500W	×	●	●	●	○	○	○	○				
	11000W	×	○	○	○	○	○						
	15000W	×	○	○	○	○							

注：● 表示允许但不推荐的配置，空格部分为不允许的配置，× 表示无此速比规格，○ 表示可选择的配置



型号	A	B	E	O	Q	N	M	R	V	G	B1	L1	$\alpha$	PE
KS50	120	80	70	50	64	84	60	8.5	40	85	70	92	45°	M8×10 (n=4)
KS63	144	100	80	63	80	102	70	8.5	50	103	85	112	45°	M8×14 (n=8)
KS75	172	120	95	75	93	119	86	11	60	112	90	120	45°	M8×14 (n=8)
KS90	206	140	110	90	102	135	103	13	70	130	100	140	45°	M10×18 (n=8)
KS110	255	170	130	110	125	167.5	127.5	14	85	144	115	155	45°	M10×18 (n=8)
KS130	293	200	180	130	140	187.5	146.5	16	100	155	120	170	45°	M12×21 (n=8)
KS150	340	240	180	150	180	230	170	18	120	185	145	200	45°	M12×21 (n=8)

型号	D	H	P	T	t	b	C7	C2	C6	$\phi C1$	b2	t2	$\phi C5G6$	$\phi C3H7$
KS50	25(24)	85	100	7	28.3(27.3)	8	75	M5	5	70	5/5/5	14.3/16.3/18.3	50	12/14/16
KS63	25(28)	95	110	8	28.3(31.3)	8	95	M6	8	90	5/5/6	16.3/18.3/21.8	70	14/16/19
KS75	28(35)	115	140	10	31.3(38.3)	8	115	M8	10	115	6/8/8	21.8/25.3/27.3	95	19/22/24
KS90	35(38)	130	160	11	38.3(41.3)	10	130	M8	10	145	8/8/8	25.3/27.3/31.3	110	22/24/28
KS110	42	165	200	14	45.3	12	180	M12	10	200	8/8/10	27.3/31.3/38.3	114.3	24/28/35
KS130	45	215	250	15	48.8	14	190	M12	10	215	8/10/10	31.3/38.3/41.3	180	28/35/38
KS150	50	215	250	18	53.8	14	240	M12	10	215	10/10/12	38.3/41.3/45.3	180	35/38/42